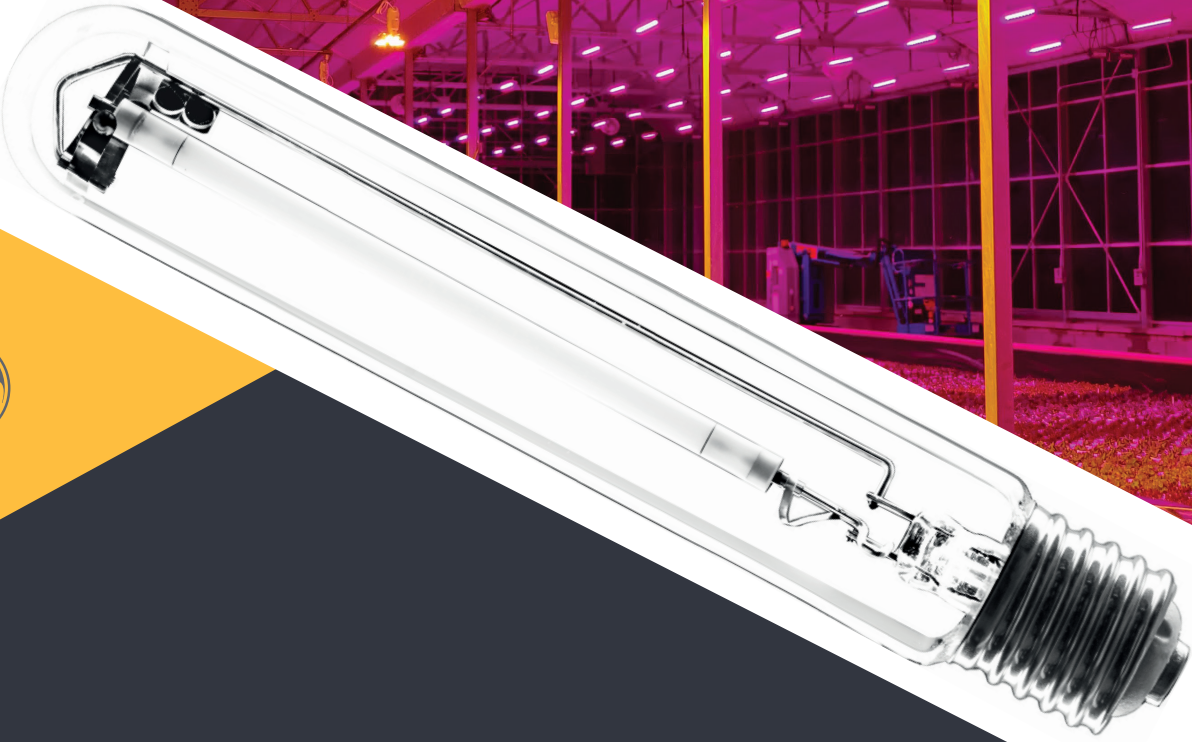


**GE current**  
a Daintree company

HORTICULTURE LIGHTING SYSTEMS



# Lucalox<sup>®</sup> 400W Lamp

Superb performance and high reliability

## Efficient

Optimised spectra with superior photosynthetic efficiency.

## Powerful

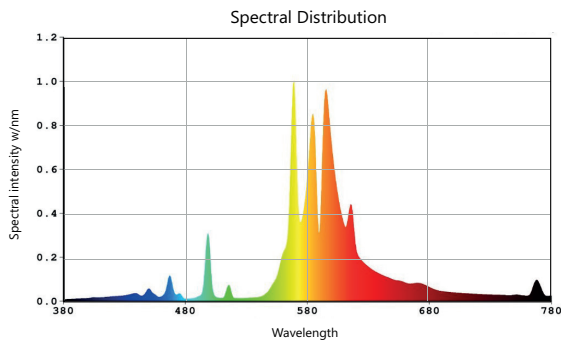
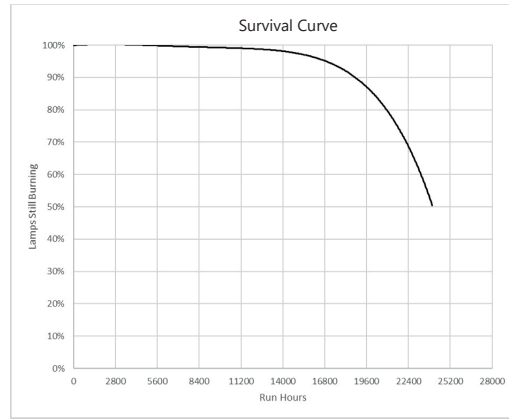
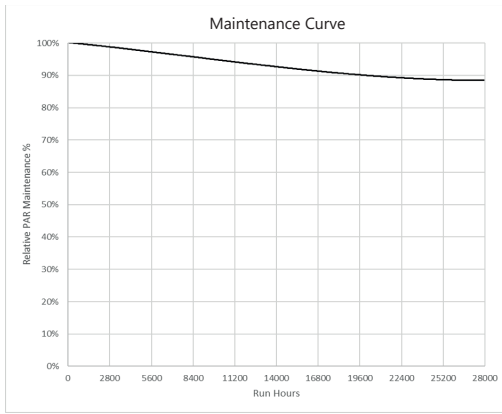
High initial PAR and improved PAR maintenance that drives constant uniform plant growth.

## Reliable

Longer service life and consistently high micromole maintenance over a longer period of time.

[www.led.com](http://www.led.com) for the latest in lighting innovations from the inventors of the LED

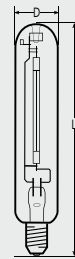
# Performance



# Specification

Order Code	LU400/HO/T/E40 GL
SKU (Min. order quantity 12 units)	93142331
Nominal lamp wattage	400W
Nominal ballast supply voltage	220-240V
Lamp voltage	100V
Lamp current	4.6A
Rated Lumens (Nominal)	55000lm (56000lm)
Rated Efficacy (Nominal)	136lm/W (138lm/W)
Photosynthetic photon flux (PPF)	700µmol/s
PPF maintenance (90%)	18000hr
Rated life B10	18000hr
CCT	2100K
Warm up time	4 minutes
Hot re-strike time	5 minutes
Energy rating	A++
Operating position	Universal
Lamp warranty	1Yr

## Physical Specifications



Length (mm)	285
Diameter (mm)	48
Weight (g)	180
Bulb shape	T46
Base type	E40
Bulb finish	Clear



Disclaimer: Special purpose lamp, not suited for household illumination.

© 2020 Current Lighting Solutions, LLC. All rights reserved. GE, CMH and the GE monogram are trademarks of the General Electric Company and are used under license. Information provided is subject to change without notice. All values are design or typical values when measured under laboratory conditions.